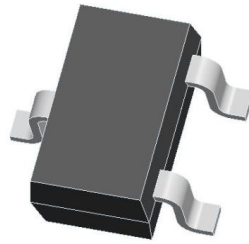


B012, Rev. -

1. Finish Goods PKG photo



2. Packing method



3000×15 PCS



Label on the Reel

3000×1 PCS

Seal the box with the tape



Label on the Inner Box

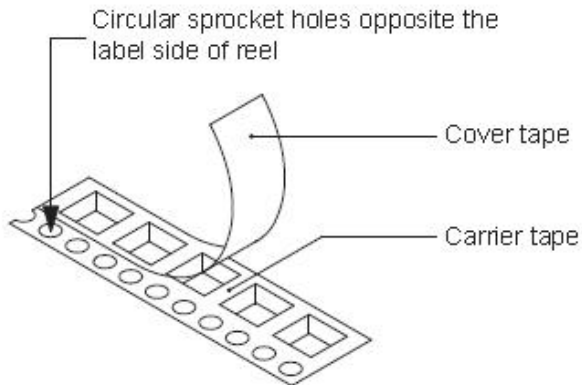


Fig.1- Reel pack for SMD

Table 1. Packing information

Package version	Reel dimensions $\phi \times H$ (mm)	SPQ/PQ (pcs)	Reels per box	Inner box dimensions L×W×H (mm)
SOT-323	$\Phi 178 \times 12.3$	3000	15	203*203*195

3. Product orientation

Standard product orientation SOT-323

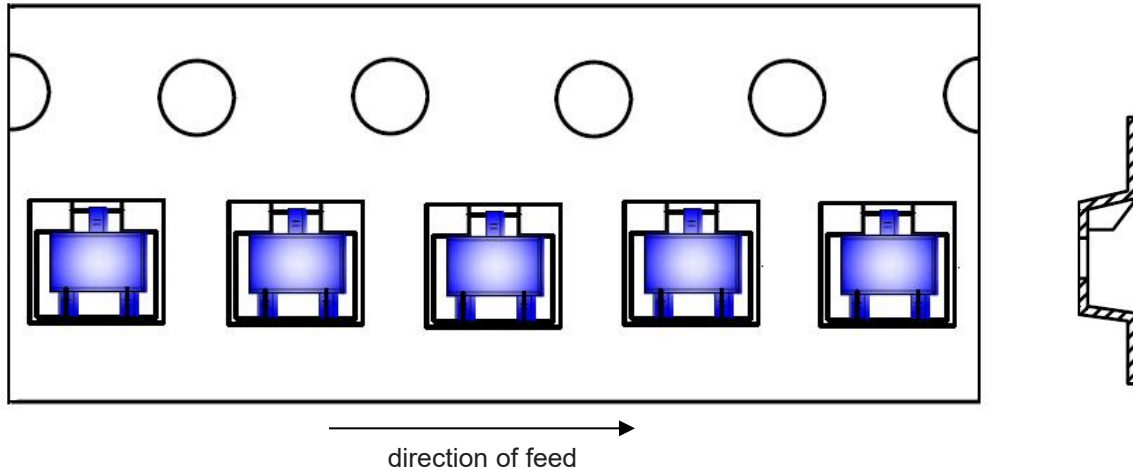


Fig 2. Product orientation in carrier tape

4. Carrier tape dimensions

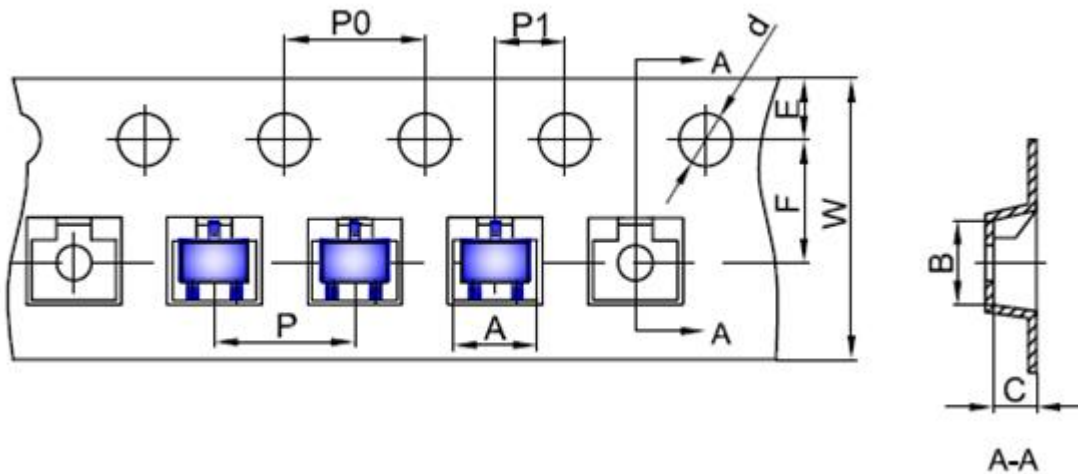


Fig 3. Carrier tape dimensions

5. Reel dimensions

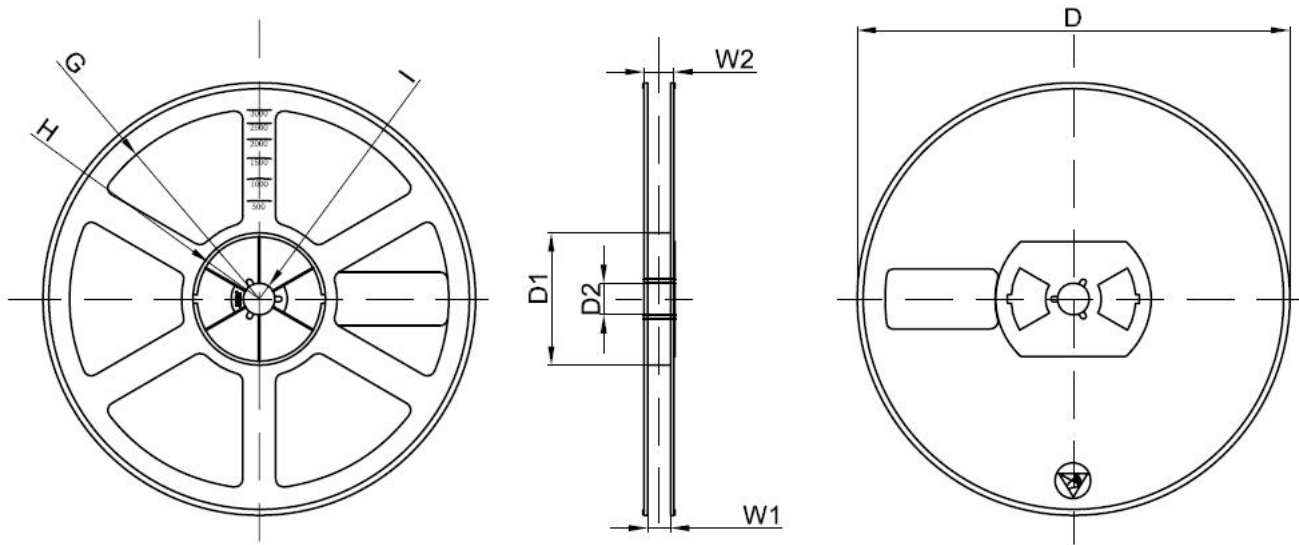


Fig 4. Reel dimensions

Table 2. Carrier tape dimensions

Dimensions are in millimeter										
Pkg type	A	B	C	d	E	F	P0	P	P1	W
SOT-323	2.25	2.55	1.19	Ø1.55	1.75	3.50	4.00	4.00	2.00	8.00
(Tolerance)	+/-0.05	+/-0.05	+/-0.05	+/-0.1	+/-0.1	+/-0.1	+/-0.1	+/-0.1	+/-0.1	+0.3/-0.1

Dimensions are in millimeter									
Reel Option	D	D1	D2	G	H	I	W1	W2	
7"Dia	Ø178.00	54.40	13.00	R78.00	R25.60	R6.50	9.50	12.30	
Tolerance	+/-2	+/-1	+/-1	+/-1	+/-1	+/-1	+/-1	+/-1	+/-1